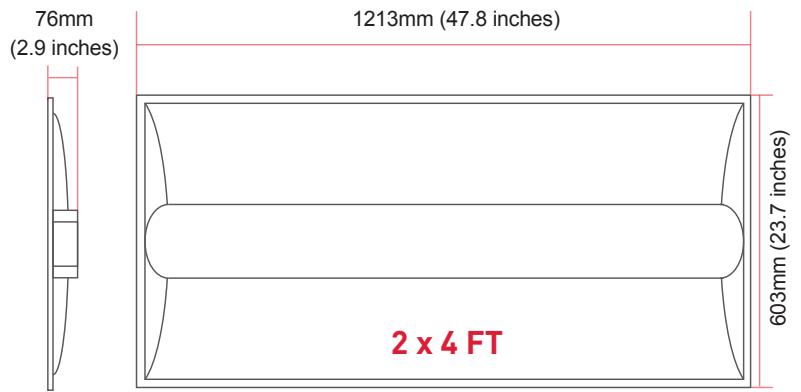
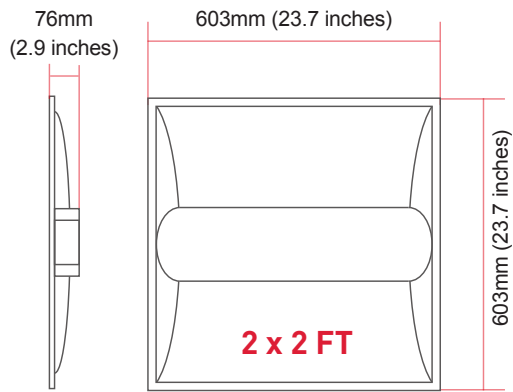




PROJECT NAME	
CATALOG NUMBER	
NOTES	
FIXTURE SCHEDULE	

LED TROFFERS



DIMMABLE

NO FLICKER

CRI > 80
PF > 0.90

IC-RATED

>80% Energy Saving

5 years Warranty

FEATURES & BENEFITS

- Optimal replacement for traditional troffers along with >80% energy savings
- Consistent light distribution without dark spots
- Quick & Easy Install at job sites
- Simple quick-connects for fast wiring
- Daisy-chain connectable
- T-grid (hurricane) clips attached
- Durable and strong housing; no sharp edges

- Dimmable; 0-10V wiring, 100-277 VAC
- No visible flicker or glare.
- Consistency: Anti-yellowing diffuser
- Certifications: cULus, FCC and DLC
- High Efficacy – up to 130 lumens/watt
- 50,000 hour life [L70]
- 5 year warranty; 10 year warranty for Education applications

APPLICATIONS

- Commercial
- Education
- Facilities
- Healthcare
- Hospitality
- Office

LED TROFFERS

TECHNICAL SPECIFICATION

- Input voltage: 100 - 277 VAC, 50 - 60 Hz
- THD: ≤ 15%
- PF: >0.9 with no visible flicker
- Color Temperatures: 3000K, 4000K, 5000K
- Color Rendering Index: CRI >80
- Operating Temperature: -4F to +122F (-20° C to 50° C)
- Rated Life: 50,000 Hours (L70)

ORDERING INFORMATION

Model Number	Size	Lumen Output	Power (W)	CCT (K)	Efficiency (lm/W)	Dimmable	Input Voltage	CRI	DLC Certification	Case Pack	Weight
TL22QW28AC30DW01-S	2 x 2	3200	28	3000	114	Yes	100V - 277V	80	DLC Standard	2	5.1 lbs
TL22QW28AC40DW01-S	2 x 2	3300	28	4000	118	Yes	100V - 277V	80	DLC Standard	2	5.1 lbs
TL22QW28AC50DW01-S	2 x 2	3400	28	5000	121	Yes	100V - 277V	80	DLC Standard	2	5.1 lbs
TL22QW35AC30DW01-S	2 x 2	3900	35	3000	111	Yes	100V - 277V	80	DLC Standard	2	5.1 lbs
TL22QW35AC40DW01-S	2 x 2	4000	35	4000	114	Yes	100V - 277V	80	DLC Standard	2	5.1 lbs
TL22QW35AC50DW01-S	2 x 2	4200	35	5000	120	Yes	100V - 277V	80	DLC Standard	2	5.1 lbs

TL24QW36AC30DW01-S	2 x 4	4300	36	3000	119	Yes	100V - 277V	80	DLC Standard	2	8.6 lbs
TL24QW36AC40DW01-S	2 x 4	4500	36	4000	125	Yes	100V - 277V	80	DLC Standard	2	8.6 lbs
TL24QW36AC50DW01-S	2 x 4	4600	36	5000	128	Yes	100V - 277V	80	DLC Standard	2	8.6 lbs
TL24QW45AC30DW01-S	2 x 4	5300	45	3000	118	Yes	100V - 277V	80	DLC Standard	2	8.6 lbs
TL24QW45AC40DW01-S	2 x 4	5400	45	4000	120	Yes	100V - 277V	80	DLC Standard	2	8.6 lbs
TL24QW45AC50DW01-S	2 x 4	5600	45	5000	124	Yes	100V - 277V	80	DLC Standard	2	8.6 lbs
TL24QW50AC30DW01-S	2 x 4	5700	50	3000	114	Yes	100V - 277V	80	DLC Standard	2	8.6 lbs
TL24QW50AC40DW01-S	2 x 4	5900	50	4000	118	Yes	100V - 277V	80	DLC Standard	2	8.6 lbs
TL24QW50AC50DW01-S	2 x 4	6000	50	5000	120	Yes	100V - 277V	80	DLC Standard	2	8.6 lbs
TL24QW60AC30DW01-S	2 x 4	6600	60	3000	110	Yes	100V - 277V	80	DLC Standard	2	8.6 lbs
TL24QW60AC40DW01-S	2 x 4	6800	60	4000	113	Yes	100V - 277V	80	DLC Standard	2	8.6 lbs
TL24QW60AC50DW01-S	2 x 4	7000	60	5000	117	Yes	100V - 277V	80	DLC Standard	2	8.6 lbs